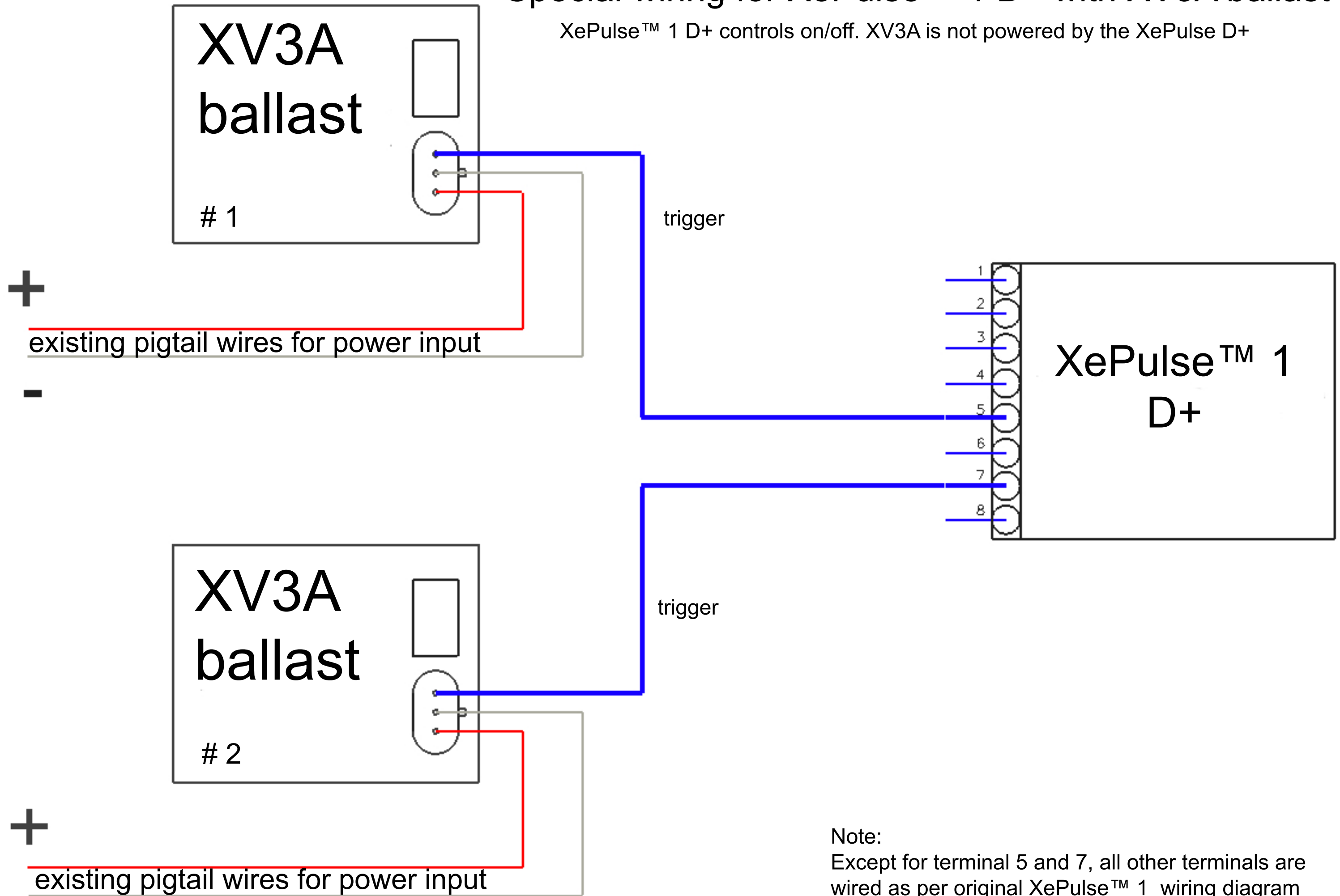


# Special wiring for XePulse™ 1 D+ with XV3A ballast

XePulse™ 1 D+ controls on/off. XV3A is not powered by the XePulse D+



Note:  
Except for terminal 5 and 7, all other terminals are wired as per original XePulse™ 1 wiring diagram