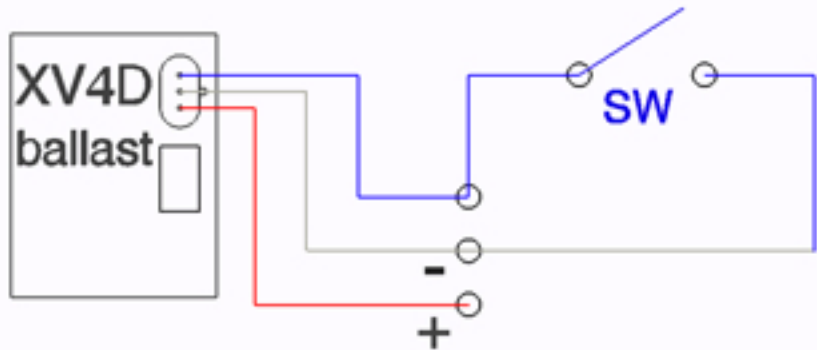


Dual power mode (DPM)

corrected: 3-3-11



Low power (35 W): SW open

High power (50 W): SW closed