



HID Xenon & LED Lighting Technology for Aerospace and Industry

XeVision™ XePulse Pulsing Unit Installation Manual

XVPCM1-12, XVPCM1-24, XVPCM1-12D, & XVPCM1-24D (12/14 VDC & 24/28 VDC)

1. Pulsing On (power switched from #3 regulated 12 VDC) #1 and #3 tied together
2. Lights continue On (power from #3 regulated 12 VDC) #2 and #3 tied together
3. Regulated 12 VDC from pulsing unit for remote switching (3-way switch)
4. Ground – Ballast ground wire
5. Output Channel #1
6. Ground – Aircraft ground & ballast ground wire
7. Output Channel #2
8. DC Input 12/14 or 24/28 VDC depending on model (see labeling on back of XePulse for proper voltage usage)

The pulsing unit must be installed in a dry location that is not exposed to a great deal of heat. The engine compartment is **NOT** a suitable location.

For simultaneous pulsing (two lights) or single light use, use one channel. For alternating pulsing, use both channels.

For 12/14 volt DC model use a maximum of either 2 each 35 watts or 1 each 50 watts per channel for a maximum 70 watts total per channel total. For 24/28 volt DC model use a maximum of either 2 each 50 watts or 2 each 35 watts (or a combination of the two) per channel for a maximum 100 watts total per channel.

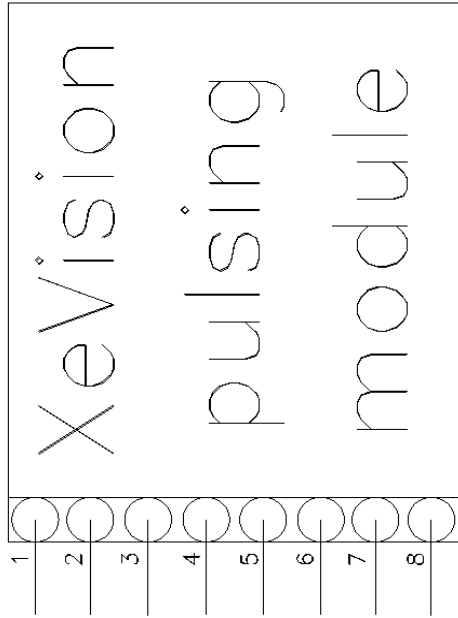
The attached schematics show XePulse terminal assignment and wiring info. Page 2 refers to the standard XePulse pulsing unit being used with the XV1A and XV1D ballast. Page 3/4 refer to the XePulse D+ pulsing unit being used with the XV3A and XV4D ballast series. The XV3A/XV4D on/off is controlled by the XePulse D and the ballast(s) are powered directly from the vehicle electrical system.

Note: the XVPCM1-12/24 and the XVPCM1-12/24D are not interchangeable.

Please call us at 1-800-366-4415 to discuss other wiring installation methods, if desired.

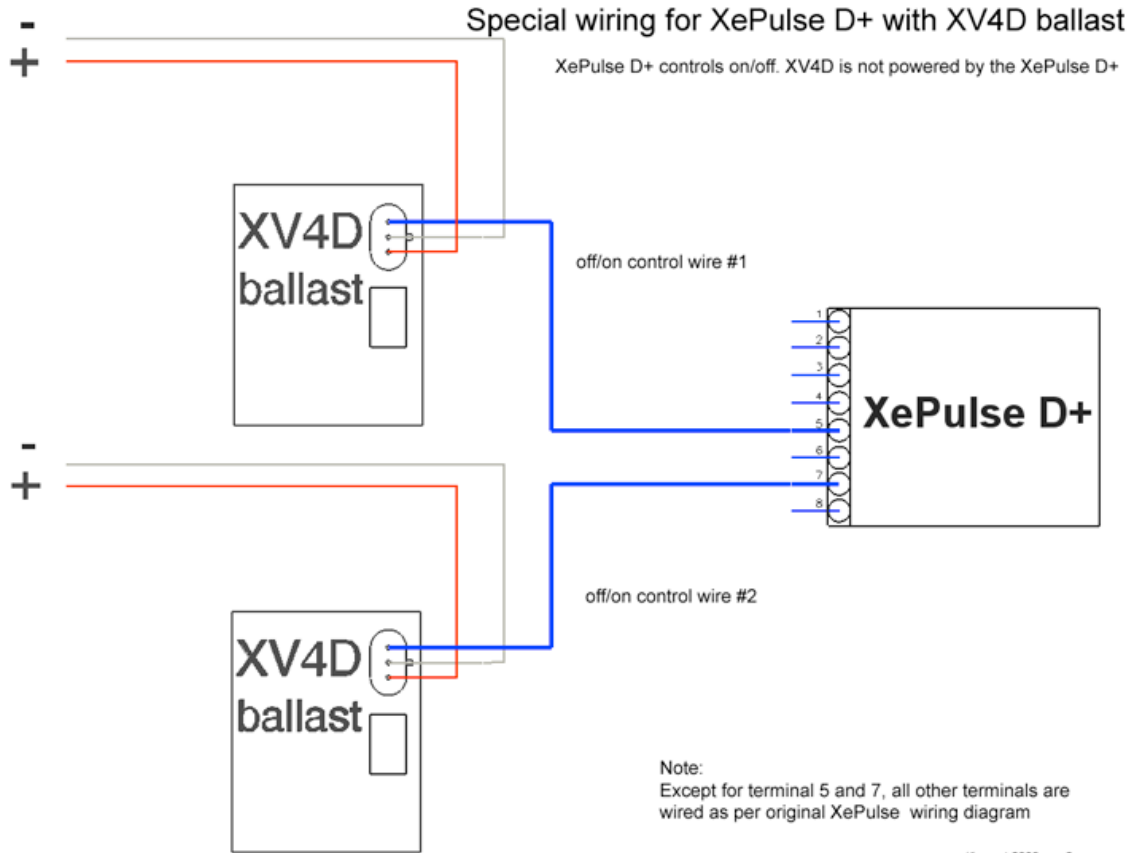
Electrical connections

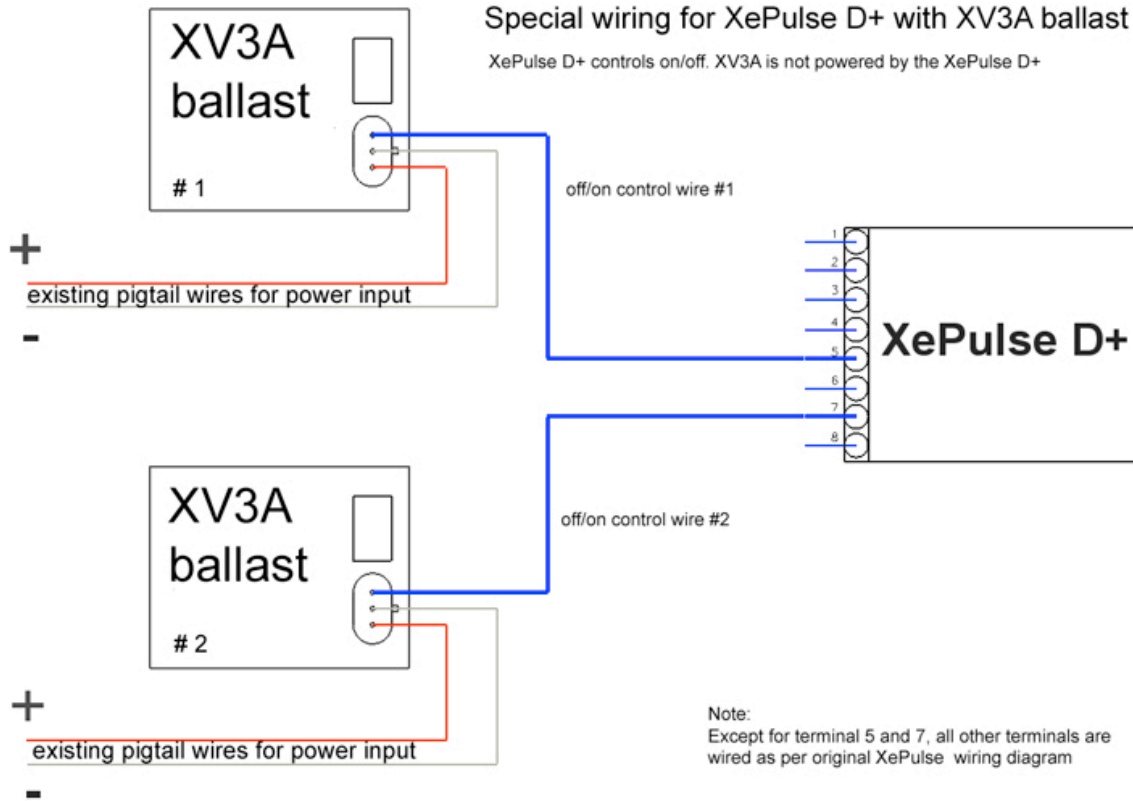
- terminal 1: pulsed operation if connected to term. 3
- terminal 2: continuous operation if connected to term. 3
- terminal 3: regulated 12 VDC control output
- terminal 4: ballast / module ground
- terminal 5: + output to HID ballast # 1
- terminal 6: ballast / module ground
- terminal 7: + output to HID ballast # 2
- terminal 8: 12 or 24 VDC power input. current rating:
20 A (12 VDC). 15 A (24 VDC) with dual 50 watt



Notes:

- case 1: For selecting Continuous or Pulsing mode. the internal circuit can be utilized wired to an external 3-way low pwr switch
- case 2: For selecting Continuous or Pulsing mode. a jumper between pin 1 and pin 3 automatically selects pulsing.
External wiring with a high pwr switch to the ballast is needed for continuous operation.





avijs sept 2009, rev.2